

MhouseKit GD1

Safety and comfort for garage doors



Kit for automation of a residential sectional garage up to 4.2m wide and up to 2.5m high and up-and-over doors* up to 4.2m wide and up to 2.8m high

* with GA1 accessory

For quick installation in any space, with 180° adjustable head

Easy installation with the Mhouse

ECSBus system: only two wires are required for polarity free connection of the main system components.

The colour-coded terminals, each of which identifies a set, enable quick, error-proof connections.

The aerial is integrated in the flashing light for greater protection (optional)

Reliable and noiseless: mechanical parts made of metal, belt drive with sturdy steel core, high-resistance galvanized steel guide (three 1-meter pieces)

Powerful timed courtesy light: 21W

No waiting in front of the gate:

only 15 seconds to open and close (in perfect installation conditions, for a sectional door 2.5m high)

“Plug 'n Play” connections

very simple and quick, with easy identification of wires and terminals

Maximum safety ensured by the low voltage connections (24V), the safety accessories and the magnetic encoder: automatic obstacle detection feature, with extra sensitive cut-in threshold thanks to **mapping of the force along the entire travel**

Autodiagnostic system: identifies and immediately signals any connection errors or malfunctions

Modular control card with integrated receiver

- 2 speeds
- Timed and adjustable automatic closing function
- Programming of new transmitters (up to 150)
- Adjustable partial opening function
- Pause time adjustment
- Obstacle sensitivity adjustment
- Automatic recognition of NC-NO-8.2K safety devices, if installed

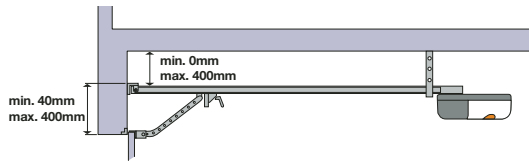
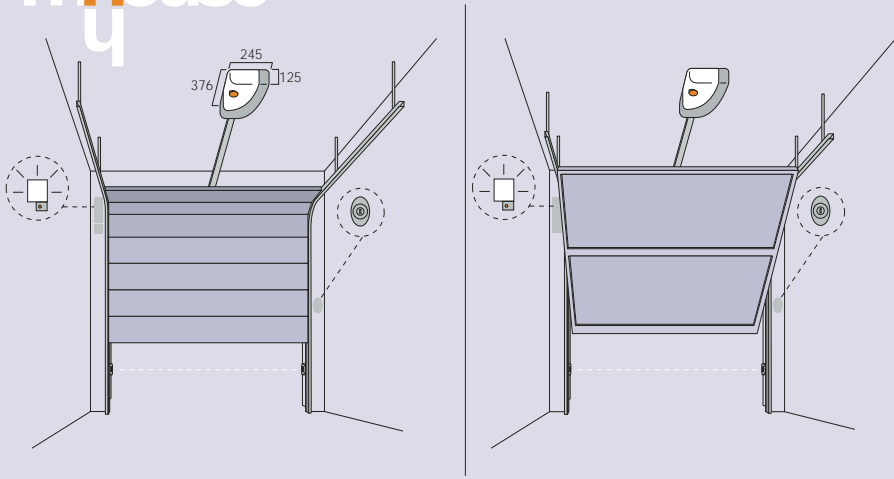
Manual release for manual door operation in case of power failures



mhouse
4

Mhouse
Via Pezza Alta 13
31046 Oderzo TV Italia
Tel. +39 0422 202 109
Fax +39 0422 853 585
info@mhouse.biz
www.mhouse.com

Installation



Operating limits

Max door wide (m)	4.2
Max door height (m)	2.8
Max no. of manoeuvres/day	50*
Max thrust (N)	600
Operating temperature (°c)	-20 ÷ +50

*opening + closing

Connections

The gauges of the required power cables are specified on the technical literature (the length varies according to the installation layout)

1 Assemble the three-section guide and position the head as required

2 Fasten the guide to the wall and the motor to the ceiling, then screw the bracket onto the door

3 The system will adjust automatically once the user has set the operating parameters

4 GD1 is ready for use



Concept : Blu, Odearzo, TV Photos : Studio Gabriotti - Blu Printed by : xxxx Design : Roberto Gherlanda

Each Kit GD1 contains:

1 GD1 230Vac electromechanical gear motor with integrated control unit and 433.92MHz variable code receiver, belt drive on galvanized steel guide, emergency release device

2 TX4 433.92MHz 4 buttons variable code transmitters

Accessories:

GA1 Oscillating arm sliding on bearings. **Compulsory for counterbalanced overhead doors**

Accessories:

GU1 Kit for external release using steel cord

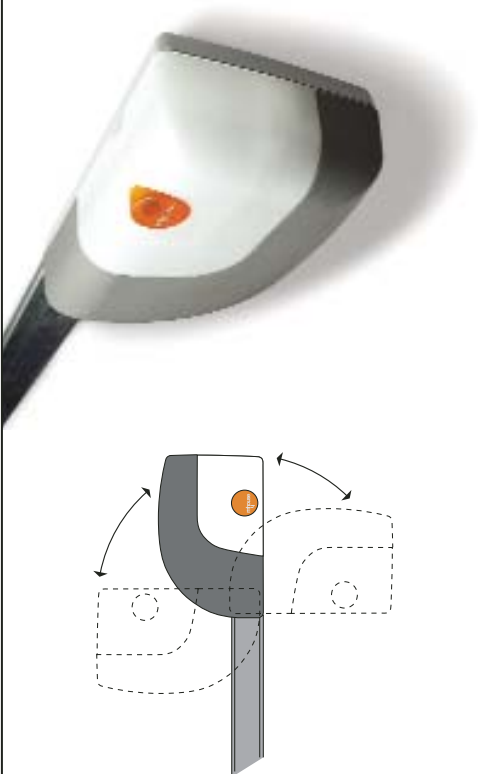
PH1 Pair of wall-mounted autosynchronized photocells

KS1 Two-position (open/stop) key-operated selector switch with pair of metal keys

DS1 13-key digital switch with programmable code, via radio

FL1 Adjustable flashing light with incorporated aerial

PT50 Two posts of 485mm high complete with a pair of premounted photocells



MHDEP1-GB/02/06-06